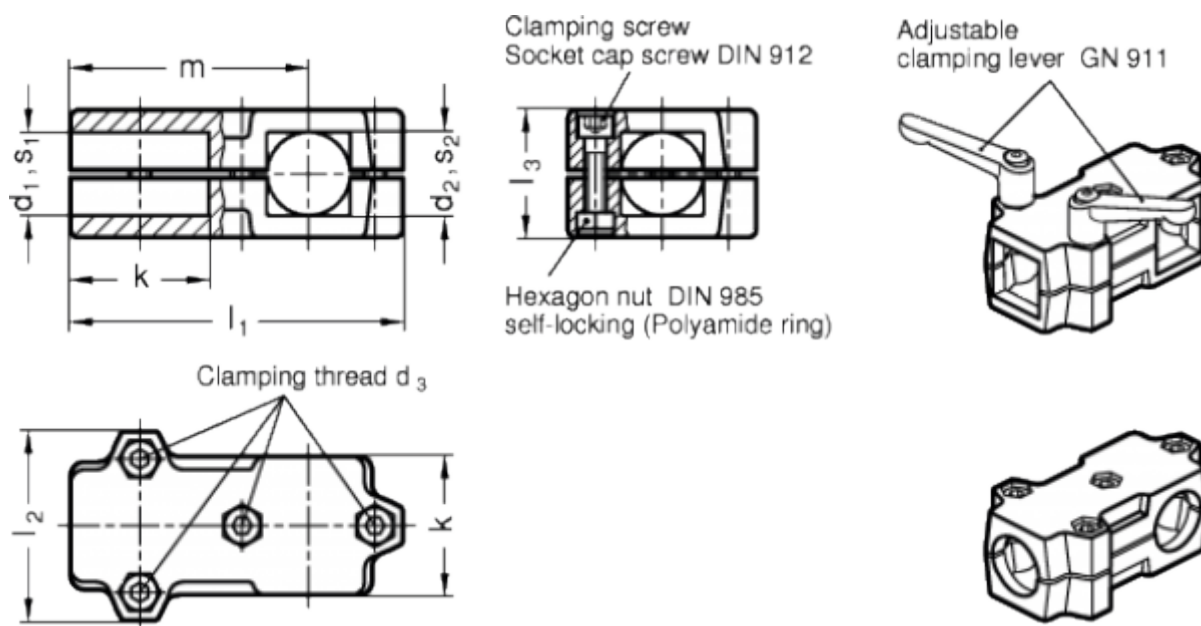


Article number: 20193V40B40762SW  
 Description: E+G T-angel clamp  
 GN 193-V40-B40-76-2-SW

## Measures



Accessories = GN 911-M10-63	m	= -
d1 = -	s1	= 40
d2 = 40	s2	= -
d3 = M10	Weight in (g)	= 1150
k = 76		
l1 = 176		
l2 = 98		
l3 = 70		